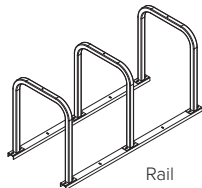
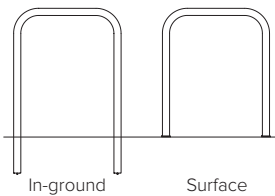
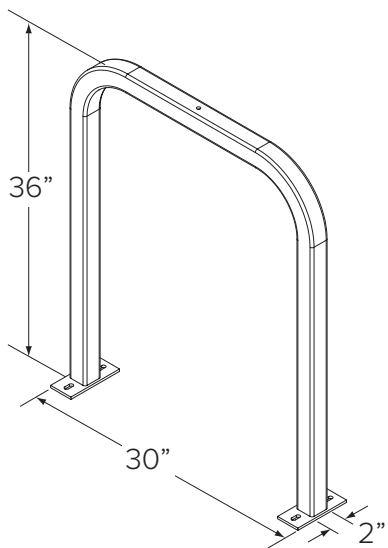


# DOWNTOWN RACK

## Submittal Sheet



**CAPACITY** 2 Bikes

**MATERIALS**

- Standard**  
2" x 2" x .188" square tube - mild steel  
2" x 2" x .120" square tube - stainless steel

- Lightweight**  
**\*Powder coat or galvanized only**  
2" x 2" x .083" square tube - mild steel

**FINISHES**

- Galvanized**  
An after fabrication hot dipped galvanized finish is our standard option.

- Powder Coat**  
Our powder coat finish assures a high level of adhesion and durability by following these steps:  
1. Sandblast  
2. Epoxy primer electrostatically applied  
3. Final thick TGIC polyester powder coat

- Thermoplastic**  
In addition to an increased thickness (8-10mils), the thermoplastic finish covers a galvanized layer and offers superior impact resistance over powder coating.

- PVC Dip (plastisol)**  
Other colors available by special order (minimum orders apply)

- Stainless**  
Stainless Steel: 304 grade stainless steel material finished in either a high polished shine or a satin finish.

**MOUNT OPTIONS**

- In-ground**  
In ground mount is embedded into concrete base. Specify in ground mount for this option.

- Surface**  
Foot Mount has two 2.5"x6"x.25" feet with two anchors per foot. Specify foot mount for this option.

- Rail**  
Rail Mounted Downtown Racks are bolted to two parallel rails which can be left freestanding or anchored to the ground. Rails are heavy duty 3"x1.4"x3/16" thick galvanized mounting rails. Specify rail mount for this option.



**DERO**  
A PLAYCORE Company

www.dero.com | 1-888-337-6729