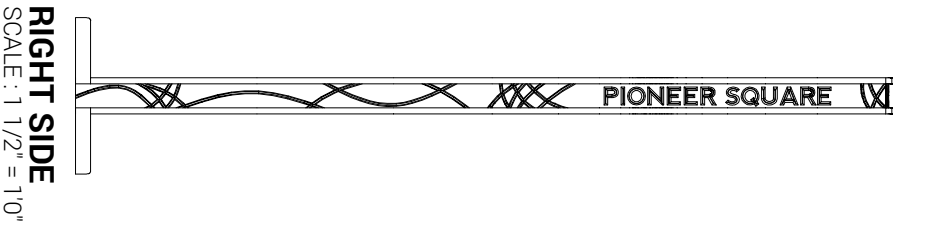
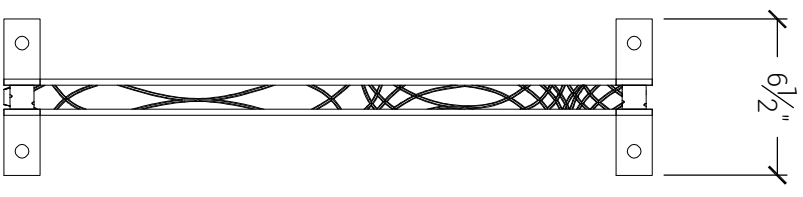


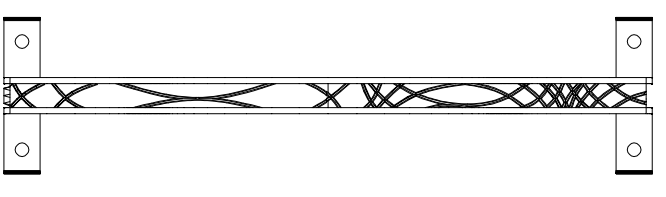
**LEFT SIDE**  
SCALE: 1 1/2" = 1'0"



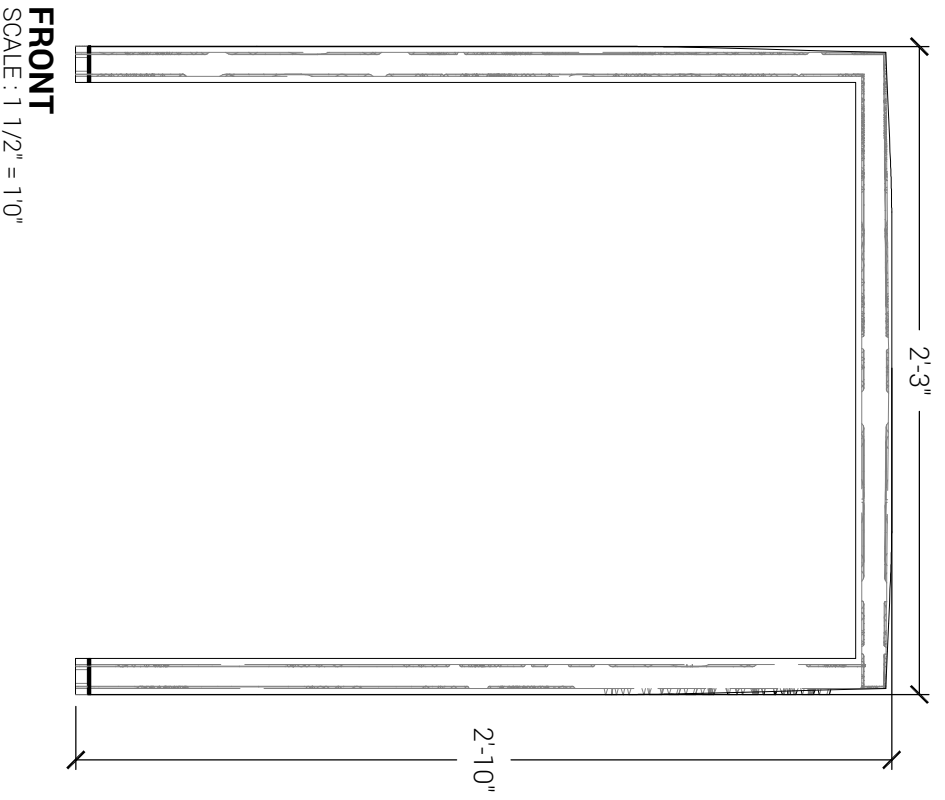
**RIGHT SIDE**  
SCALE: 1 1/2" = 1'0"



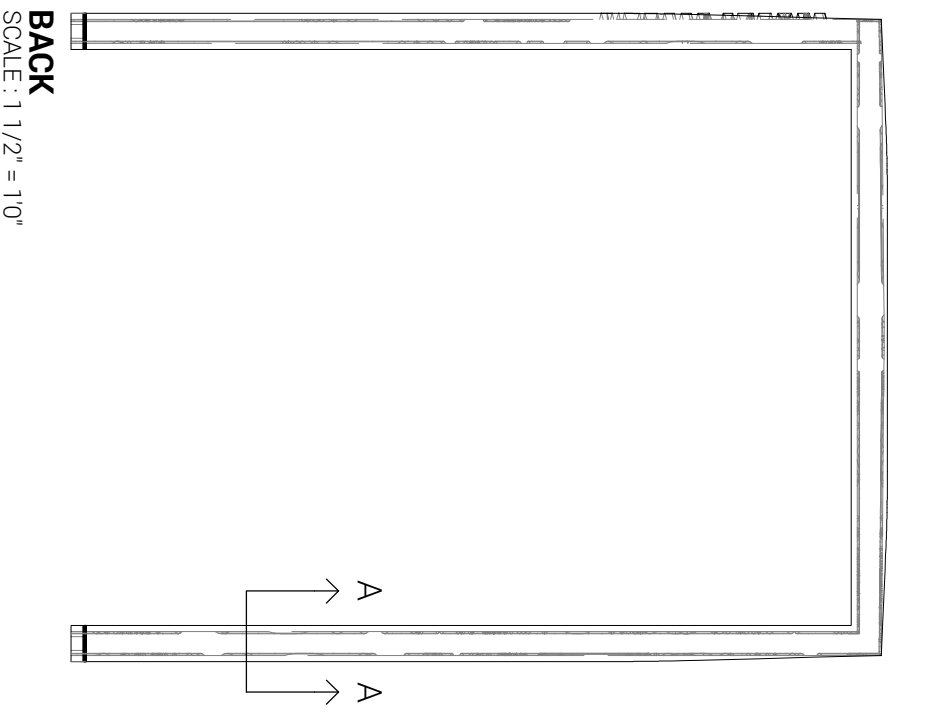
**BOTTOM**  
SCALE: 1 1/2" = 1'0"



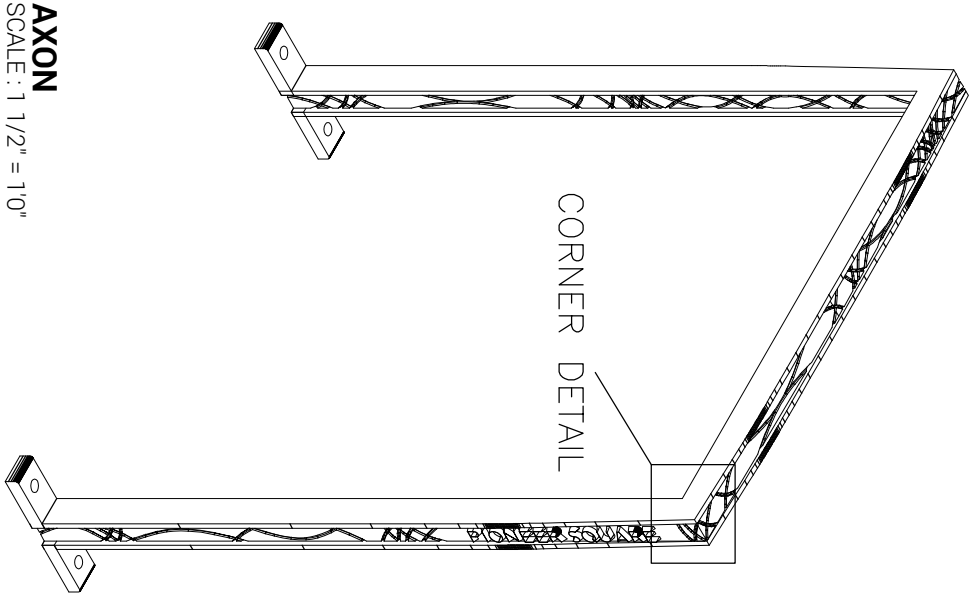
**TOP**  
SCALE: 1 1/2" = 1'0"



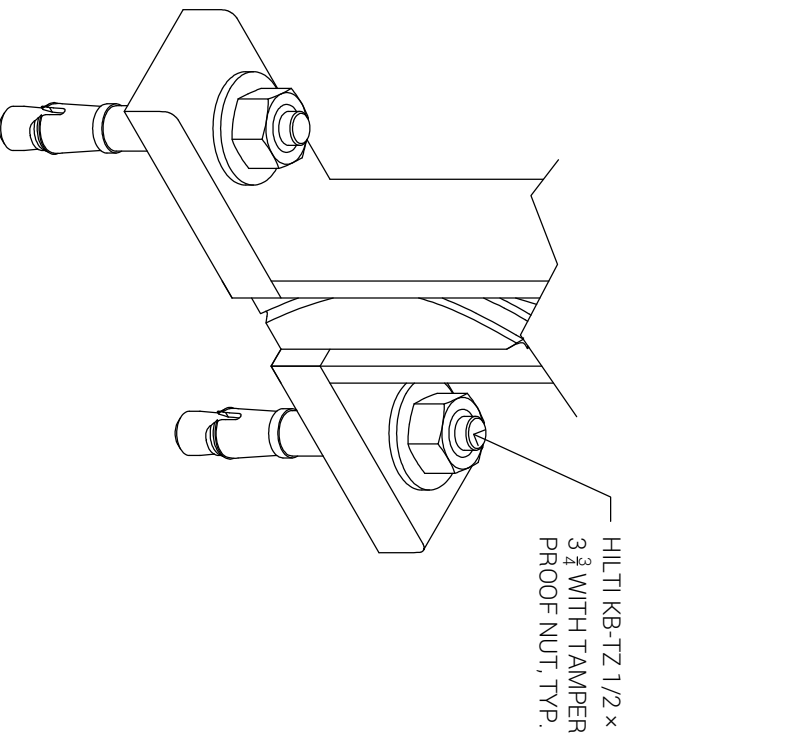
**FRONT**  
SCALE: 1 1/2" = 1'0"



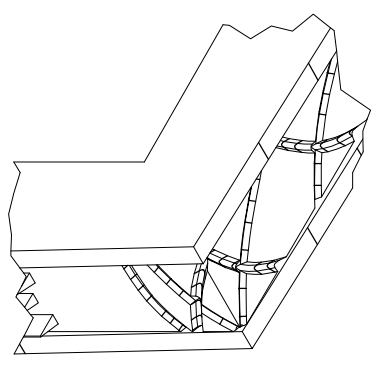
**BACK**  
SCALE: 1 1/2" = 1'0"



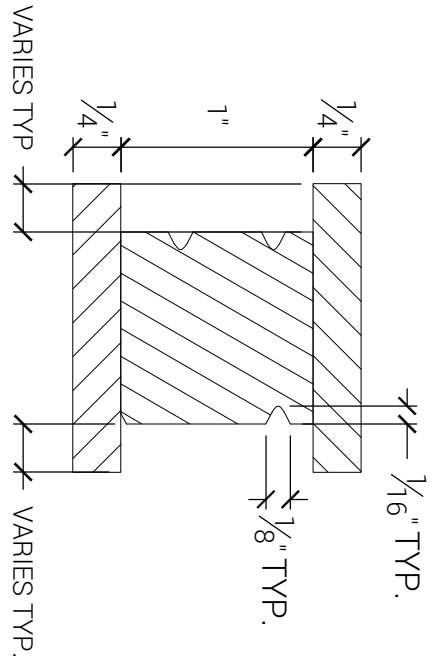
**AXON**  
SCALE: 1 1/2" = 1'0"



**DETAIL: TYPICAL CONNECTION**  
SCALE: 6" = 1'0"



**DETAIL: CORNER**  
SCALE: 6" = 1'0"



**SECTION A-A**  
SCALE: 6" = 1'0"

**PIONEER SQUARE**

**DETAIL: RAISED TEXT PLAN AND ELEVATION**  
SCALE: 6" = 1'0"

**NOTES:**

1. CAST IRON TO MEET ASTM A48 CLASS 30 STANDARDS. FINISH WITH CORROSEAL AT 8-10 MILS WET FILM THICKNESS WITH BRUSH ROLL OR SPRAY APPLICATION.
2. ROUND ALL CORNERS TO 3/32" TO REMOVE SHARP EDGES, TYP.
3. ROUND ALL CORNERS TO 3/32" TO REMOVE SHARP EDGES, TYP.

REVISIONS		
DATE	DESCRIPTION	APPROVED



**BICYCLE RACK**

PHASE <b>CD</b>	ALLIANCE FOR PIONEER SQUARE PIONEER SQUARE SEATTLE, WA	DESIGNED _____
		DRAWN _____
APPROVED _____ DATE _____		CHECKED _____
TITLE _____		